

| 車両情報      |             |             |      |   |
|-----------|-------------|-------------|------|---|
| 車名        | 初年度登録       | 型式          | 形状   | 車台番号  |
| いすゞ       | 平成23年11月    | SKG-FRR90S2 | 冷凍パン | FRR90-7028400                                       |
| 走行        | 馬力          | シフト         | ブレーキ | ボディ内寸   |
| 404,170km | 210PS/154KW | M/T 6速      | エア   | 長: 6,190 mm 幅: 2,090 mm<br>高: 1,970 mm 門高: 1,950 mm |

◎: 良好 ○: 通常走行問題なし △: 要修理 /: 装備無し ※あくまでも当社判断基準によるものです

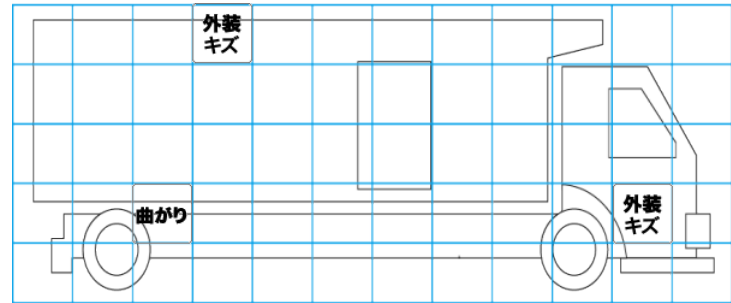
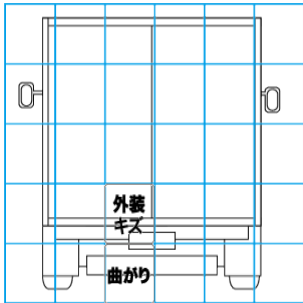
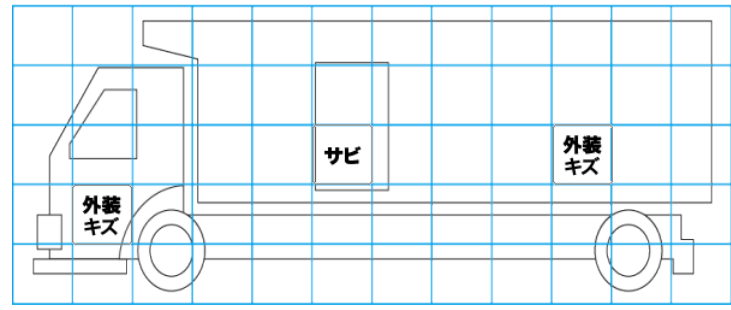
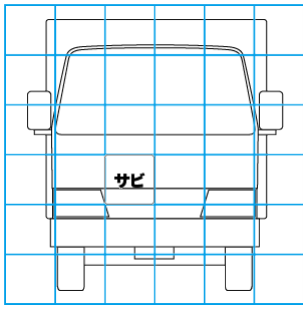
| エンジン  |    |                   | 電装関係      |    |      | キャビン  |    |       |      |   |  |      |    |    |       |   |  |      |   |  |       |   |  |      |   |  |   |   |                   |      |  |  |      |    |    |     |   |              |   |  |  |    |  |  |      |    |    |    |   |  |       |   |  |       |   |  |
|---|----|-------------------|-----------|----|------|---|----|-------|------|---|--|------|----|----|-------|---|--|------|---|--|-------|---|--|------|---|--|---|---|-------------------|------|--|--|------|----|----|-----|---|--------------|---|--|--|----|--|--|------|----|----|----|---|--|-------|---|--|-------|---|--|
| 点検項目  | 結果 | 状態                | 点検項目      | 結果 | 状態   | 点検項目  | 結果 | 状態    |      |   |  |      |    |    |       |   |  |      |   |  |       |   |  |      |   |  |   |   |                   |      |  |  |      |    |    |     |   |              |   |  |  |    |  |  |      |    |    |    |   |  |       |   |  |       |   |  |
| 異音  | ◎  |                   | エアコン      | ◎  |      | シート   | ◎  |       |      |   |  |      |    |    |       |   |  |      |   |  |       |   |  |      |   |  |   |   |                   |      |  |  |      |    |    |     |   |              |   |  |  |    |  |  |      |    |    |    |   |  |       |   |  |       |   |  |
| オイル混入   | ◎  |                   | スターター     | ◎  |      | ヘッドライト  | ◎  | H I D |      |   |  |      |    |    |       |   |  |      |   |  |       |   |  |      |   |  |   |   |                   |      |  |  |      |    |    |     |   |              |   |  |  |    |  |  |      |    |    |    |   |  |       |   |  |       |   |  |
| オイル漏れ   | ◎  |                   | オルタネーター   | ◎  |      | ウィンカー   | ◎  |       |      |   |  |      |    |    |       |   |  |      |   |  |       |   |  |      |   |  |   |   |                   |      |  |  |      |    |    |     |   |              |   |  |  |    |  |  |      |    |    |    |   |  |       |   |  |       |   |  |
| 水混入   | ◎  |                   | P/W (運転席) | ◎  |      | ワイパー  | ◎  |       |      |   |  |      |    |    |       |   |  |      |   |  |       |   |  |      |   |  |   |   |                   |      |  |  |      |    |    |     |   |              |   |  |  |    |  |  |      |    |    |    |   |  |       |   |  |       |   |  |
| 水漏れ   | ◎  |                   | P/W (助手席) | ◎  |      | ミラー   | ◎  |       |      |   |  |      |    |    |       |   |  |      |   |  |       |   |  |      |   |  |   |   |                   |      |  |  |      |    |    |     |   |              |   |  |  |    |  |  |      |    |    |    |   |  |       |   |  |       |   |  |
| 燃料漏れ  | ◎  |                   | 坂道発進装置    | ◎  |      | <table border="1"> <thead> <tr> <th colspan="3">走行関係</th> </tr> <tr> <th>点検項目</th> <th>結果</th> <th>状態</th> </tr> </thead> <tbody> <tr> <td>リーフサス</td> <td>◎</td> <td></td> </tr> <tr> <td>エアサス</td> <td>/</td> <td></td> </tr> <tr> <td>パワステ</td> <td>◎</td> <td></td> </tr> <tr> <td>ハンドル</td> <td>◎</td> <td></td> </tr> <tr> <td>燃料タンク</td> <td>◎</td> <td>スチール<br/>200L 100L</td> </tr> </tbody> </table> |    |       | 走行関係 |   |  | 点検項目 | 結果 | 状態 | リーフサス | ◎ |  | エアサス | / |  | パワステ  | ◎ |  | ハンドル | ◎ |  | 燃料タンク   | ◎ | スチール<br>200L 100L |      |  |  |      |    |    |     |   |              |   |  |  |    |  |  |      |    |    |    |   |  |       |   |  |       |   |  |
| 走行関係  |    |                   |           |    |      |   |    |       |      |   |  |      |    |    |       |   |  |      |   |  |       |   |  |      |   |  |   |   |                   |      |  |  |      |    |    |     |   |              |   |  |  |    |  |  |      |    |    |    |   |  |       |   |  |       |   |  |
| 点検項目  | 結果 | 状態                |           |    |      |   |    |       |      |   |  |      |    |    |       |   |  |      |   |  |       |   |  |      |   |  |   |   |                   |      |  |  |      |    |    |     |   |              |   |  |  |    |  |  |      |    |    |    |   |  |       |   |  |       |   |  |
| リーフサス   | ◎  |                   |           |    |      |   |    |       |      |   |  |      |    |    |       |   |  |      |   |  |       |   |  |      |   |  |   |   |                   |      |  |  |      |    |    |     |   |              |   |  |  |    |  |  |      |    |    |    |   |  |       |   |  |       |   |  |
| エアサス  | /  |                   |           |    |      |   |    |       |      |   |  |      |    |    |       |   |  |      |   |  |       |   |  |      |   |  |   |   |                   |      |  |  |      |    |    |     |   |              |   |  |  |    |  |  |      |    |    |    |   |  |       |   |  |       |   |  |
| パワステ  | ◎  |                   |           |    |      |   |    |       |      |   |  |      |    |    |       |   |  |      |   |  |       |   |  |      |   |  |   |   |                   |      |  |  |      |    |    |     |   |              |   |  |  |    |  |  |      |    |    |    |   |  |       |   |  |       |   |  |
| ハンドル  | ◎  |                   |           |    |      |   |    |       |      |   |  |      |    |    |       |   |  |      |   |  |       |   |  |      |   |  |   |   |                   |      |  |  |      |    |    |     |   |              |   |  |  |    |  |  |      |    |    |    |   |  |       |   |  |       |   |  |
| 燃料タンク   | ◎  | スチール<br>200L 100L |           |    |      |   |    |       |      |   |  |      |    |    |       |   |  |      |   |  |       |   |  |      |   |  |   |   |                   |      |  |  |      |    |    |     |   |              |   |  |  |    |  |  |      |    |    |    |   |  |       |   |  |       |   |  |
| 排気  | ◎  |                   | 異常ランプ     | ◎  |      | リアフサス   | ◎  |       |      |   |  |      |    |    |       |   |  |      |   |  |       |   |  |      |   |  |   |   |                   |      |  |  |      |    |    |     |   |              |   |  |  |    |  |  |      |    |    |    |   |  |       |   |  |       |   |  |
| マフラー  | ◎  |                   | オーディオ     | ◎  |      | エアサス  | /  |       |      |   |  |      |    |    |       |   |  |      |   |  |       |   |  |      |   |  |   |   |                   |      |  |  |      |    |    |     |   |              |   |  |  |    |  |  |      |    |    |    |   |  |       |   |  |       |   |  |
| ターボ   | ◎  |                   | バックカメラ    | △  | 映らない | パワステ  | ◎  |       |      |   |  |      |    |    |       |   |  |      |   |  |       |   |  |      |   |  |   |   |                   |      |  |  |      |    |    |     |   |              |   |  |  |    |  |  |      |    |    |    |   |  |       |   |  |       |   |  |
| 冷却水吹返   | ◎  |                   | 電格ミラー     | ◎  |      | ハンドル  | ◎  |       |      |   |  |      |    |    |       |   |  |      |   |  |       |   |  |      |   |  |   |   |                   |      |  |  |      |    |    |     |   |              |   |  |  |    |  |  |      |    |    |    |   |  |       |   |  |       |   |  |
| <table border="1"> <thead> <tr> <th colspan="3">ミッション</th> </tr> <tr> <th>点検項目</th> <th>結果</th> <th>状態</th> </tr> </thead> <tbody> <tr> <td>ギア鳴き</td> <td>◎</td> <td></td> </tr> <tr> <td>ギア抜け</td> <td>◎</td> <td></td> </tr> <tr> <td>クラッチ</td> <td>◎</td> <td></td> </tr> <tr> <td>異音</td> <td>◎</td> <td></td> </tr> <tr> <td>オイル漏れ</td> <td>◎</td> <td></td> </tr> <tr> <td>リターダ</td> <td>/</td> <td></td> </tr> </tbody> </table> |    |                   | ミッション     |    |      | 点検項目  | 結果 | 状態    | ギア鳴き | ◎ |  | ギア抜け | ◎  |    | クラッチ  | ◎ |  | 異音   | ◎ |  | オイル漏れ | ◎ |  | リターダ | / |  | <table border="1"> <thead> <tr> <th colspan="3">上物仕様</th> </tr> <tr> <th>点検項目</th> <th>結果</th> <th>状態</th> </tr> </thead> <tbody> <tr> <td>床材質</td> <td>/</td> <td>アルミ<br/>キーストン</td> </tr> </tbody> </table> |   |                   | 上物仕様 |  |  | 点検項目 | 結果 | 状態 | 床材質 | / | アルミ<br>キーストン | <table border="1"> <thead> <tr> <th colspan="3">デフ</th> </tr> <tr> <th>点検項目</th> <th>結果</th> <th>状態</th> </tr> </thead> <tbody> <tr> <td>異音</td> <td>◎</td> <td></td> </tr> <tr> <td>オイル漏れ</td> <td>◎</td> <td></td> </tr> <tr> <td>デフロック</td> <td>/</td> <td></td> </tr> </tbody> </table> |  |  | デフ |  |  | 点検項目 | 結果 | 状態 | 異音 | ◎ |  | オイル漏れ | ◎ |  | デフロック | / |  |
|   |    |                   | ミッション     |    |      |   |    |       |      |   |  |      |    |    |       |   |  |      |   |  |       |   |  |      |   |  |   |   |                   |      |  |  |      |    |    |     |   |              |   |  |  |    |  |  |      |    |    |    |   |  |       |   |  |       |   |  |
| 点検項目  | 結果 | 状態                |           |    |      |   |    |       |      |   |  |      |    |    |       |   |  |      |   |  |       |   |  |      |   |  |   |   |                   |      |  |  |      |    |    |     |   |              |   |  |  |    |  |  |      |    |    |    |   |  |       |   |  |       |   |  |
| ギア鳴き  | ◎  |                   |           |    |      |   |    |       |      |   |  |      |    |    |       |   |  |      |   |  |       |   |  |      |   |  |   |   |                   |      |  |  |      |    |    |     |   |              |   |  |  |    |  |  |      |    |    |    |   |  |       |   |  |       |   |  |
| ギア抜け  | ◎  |                   |           |    |      |   |    |       |      |   |  |      |    |    |       |   |  |      |   |  |       |   |  |      |   |  |   |   |                   |      |  |  |      |    |    |     |   |              |   |  |  |    |  |  |      |    |    |    |   |  |       |   |  |       |   |  |
| クラッチ  | ◎  |                   |           |    |      |   |    |       |      |   |  |      |    |    |       |   |  |      |   |  |       |   |  |      |   |  |   |   |                   |      |  |  |      |    |    |     |   |              |   |  |  |    |  |  |      |    |    |    |   |  |       |   |  |       |   |  |
| 異音  | ◎  |                   |           |    |      |   |    |       |      |   |  |      |    |    |       |   |  |      |   |  |       |   |  |      |   |  |   |   |                   |      |  |  |      |    |    |     |   |              |   |  |  |    |  |  |      |    |    |    |   |  |       |   |  |       |   |  |
| オイル漏れ   | ◎  |                   |           |    |      |   |    |       |      |   |  |      |    |    |       |   |  |      |   |  |       |   |  |      |   |  |   |   |                   |      |  |  |      |    |    |     |   |              |   |  |  |    |  |  |      |    |    |    |   |  |       |   |  |       |   |  |
| リターダ  | /  |                   |           |    |      |   |    |       |      |   |  |      |    |    |       |   |  |      |   |  |       |   |  |      |   |  |   |   |                   |      |  |  |      |    |    |     |   |              |   |  |  |    |  |  |      |    |    |    |   |  |       |   |  |       |   |  |
| 上物仕様  |    |                   |           |    |      |   |    |       |      |   |  |      |    |    |       |   |  |      |   |  |       |   |  |      |   |  |   |   |                   |      |  |  |      |    |    |     |   |              |   |  |  |    |  |  |      |    |    |    |   |  |       |   |  |       |   |  |
| 点検項目  | 結果 | 状態                |           |    |      |   |    |       |      |   |  |      |    |    |       |   |  |      |   |  |       |   |  |      |   |  |   |   |                   |      |  |  |      |    |    |     |   |              |   |  |  |    |  |  |      |    |    |    |   |  |       |   |  |       |   |  |
| 床材質   | /  | アルミ<br>キーストン      |           |    |      |   |    |       |      |   |  |      |    |    |       |   |  |      |   |  |       |   |  |      |   |  |   |   |                   |      |  |  |      |    |    |     |   |              |   |  |  |    |  |  |      |    |    |    |   |  |       |   |  |       |   |  |
| デフ  |    |                   |           |    |      |   |    |       |      |   |  |      |    |    |       |   |  |      |   |  |       |   |  |      |   |  |   |   |                   |      |  |  |      |    |    |     |   |              |   |  |  |    |  |  |      |    |    |    |   |  |       |   |  |       |   |  |
| 点検項目  | 結果 | 状態                |           |    |      |   |    |       |      |   |  |      |    |    |       |   |  |      |   |  |       |   |  |      |   |  |   |   |                   |      |  |  |      |    |    |     |   |              |   |  |  |    |  |  |      |    |    |    |   |  |       |   |  |       |   |  |
| 異音  | ◎  |                   |           |    |      |   |    |       |      |   |  |      |    |    |       |   |  |      |   |  |       |   |  |      |   |  |   |   |                   |      |  |  |      |    |    |     |   |              |   |  |  |    |  |  |      |    |    |    |   |  |       |   |  |       |   |  |
| オイル漏れ   | ◎  |                   |           |    |      |   |    |       |      |   |  |      |    |    |       |   |  |      |   |  |       |   |  |      |   |  |   |   |                   |      |  |  |      |    |    |     |   |              |   |  |  |    |  |  |      |    |    |    |   |  |       |   |  |       |   |  |
| デフロック   | /  |                   |           |    |      |   |    |       |      |   |  |      |    |    |       |   |  |      |   |  |       |   |  |      |   |  |   |   |                   |      |  |  |      |    |    |     |   |              |   |  |  |    |  |  |      |    |    |    |   |  |       |   |  |       |   |  |
| <table border="1"> <thead> <tr> <th colspan="3">ミッション</th> </tr> <tr> <th>点検項目</th> <th>結果</th> <th>状態</th> </tr> </thead> <tbody> <tr> <td>ギア鳴き</td> <td>◎</td> <td></td> </tr> <tr> <td>ギア抜け</td> <td>◎</td> <td></td> </tr> <tr> <td>クラッチ</td> <td>◎</td> <td></td> </tr> <tr> <td>異音</td> <td>◎</td> <td></td> </tr> <tr> <td>オイル漏れ</td> <td>◎</td> <td></td> </tr> <tr> <td>リターダ</td> <td>/</td> <td></td> </tr> </tbody> </table> |    |                   | ミッション     |    |      | 点検項目  | 結果 | 状態    | ギア鳴き | ◎ |  | ギア抜け | ◎  |    | クラッチ  | ◎ |  | 異音   | ◎ |  | オイル漏れ | ◎ |  | リターダ | / |  | <table border="1"> <thead> <tr> <th colspan="3">上物仕様</th> </tr> <tr> <th>点検項目</th> <th>結果</th> <th>状態</th> </tr> </thead> <tbody> <tr> <td>床材質</td> <td>/</td> <td>アルミ<br/>キーストン</td> </tr> </tbody> </table> |   |                   | 上物仕様 |  |  | 点検項目 | 結果 | 状態 | 床材質 | / | アルミ<br>キーストン | <table border="1"> <thead> <tr> <th colspan="3">デフ</th> </tr> <tr> <th>点検項目</th> <th>結果</th> <th>状態</th> </tr> </thead> <tbody> <tr> <td>異音</td> <td>◎</td> <td></td> </tr> <tr> <td>オイル漏れ</td> <td>◎</td> <td></td> </tr> <tr> <td>デフロック</td> <td>/</td> <td></td> </tr> </tbody> </table> |  |  | デフ |  |  | 点検項目 | 結果 | 状態 | 異音 | ◎ |  | オイル漏れ | ◎ |  | デフロック | / |  |
| ミッション   |    |                   |           |    |      |   |    |       |      |   |  |      |    |    |       |   |  |      |   |  |       |   |  |      |   |  |   |   |                   |      |  |  |      |    |    |     |   |              |   |  |  |    |  |  |      |    |    |    |   |  |       |   |  |       |   |  |
| 点検項目  | 結果 | 状態                |           |    |      |   |    |       |      |   |  |      |    |    |       |   |  |      |   |  |       |   |  |      |   |  |   |   |                   |      |  |  |      |    |    |     |   |              |   |  |  |    |  |  |      |    |    |    |   |  |       |   |  |       |   |  |
| ギア鳴き  | ◎  |                   |           |    |      |   |    |       |      |   |  |      |    |    |       |   |  |      |   |  |       |   |  |      |   |  |   |   |                   |      |  |  |      |    |    |     |   |              |   |  |  |    |  |  |      |    |    |    |   |  |       |   |  |       |   |  |
| ギア抜け  | ◎  |                   |           |    |      |   |    |       |      |   |  |      |    |    |       |   |  |      |   |  |       |   |  |      |   |  |   |   |                   |      |  |  |      |    |    |     |   |              |   |  |  |    |  |  |      |    |    |    |   |  |       |   |  |       |   |  |
| クラッチ  | ◎  |                   |           |    |      |   |    |       |      |   |  |      |    |    |       |   |  |      |   |  |       |   |  |      |   |  |   |   |                   |      |  |  |      |    |    |     |   |              |   |  |  |    |  |  |      |    |    |    |   |  |       |   |  |       |   |  |
| 異音  | ◎  |                   |           |    |      |   |    |       |      |   |  |      |    |    |       |   |  |      |   |  |       |   |  |      |   |  |   |   |                   |      |  |  |      |    |    |     |   |              |   |  |  |    |  |  |      |    |    |    |   |  |       |   |  |       |   |  |
| オイル漏れ   | ◎  |                   |           |    |      |   |    |       |      |   |  |      |    |    |       |   |  |      |   |  |       |   |  |      |   |  |   |   |                   |      |  |  |      |    |    |     |   |              |   |  |  |    |  |  |      |    |    |    |   |  |       |   |  |       |   |  |
| リターダ  | /  |                   |           |    |      |   |    |       |      |   |  |      |    |    |       |   |  |      |   |  |       |   |  |      |   |  |   |   |                   |      |  |  |      |    |    |     |   |              |   |  |  |    |  |  |      |    |    |    |   |  |       |   |  |       |   |  |
| 上物仕様  |    |                   |           |    |      |   |    |       |      |   |  |      |    |    |       |   |  |      |   |  |       |   |  |      |   |  |   |   |                   |      |  |  |      |    |    |     |   |              |   |  |  |    |  |  |      |    |    |    |   |  |       |   |  |       |   |  |
| 点検項目  | 結果 | 状態                |           |    |      |   |    |       |      |   |  |      |    |    |       |   |  |      |   |  |       |   |  |      |   |  |   |   |                   |      |  |  |      |    |    |     |   |              |   |  |  |    |  |  |      |    |    |    |   |  |       |   |  |       |   |  |
| 床材質   | /  | アルミ<br>キーストン      |           |    |      |   |    |       |      |   |  |      |    |    |       |   |  |      |   |  |       |   |  |      |   |  |   |   |                   |      |  |  |      |    |    |     |   |              |   |  |  |    |  |  |      |    |    |    |   |  |       |   |  |       |   |  |
| デフ  |    |                   |           |    |      |   |    |       |      |   |  |      |    |    |       |   |  |      |   |  |       |   |  |      |   |  |   |   |                   |      |  |  |      |    |    |     |   |              |   |  |  |    |  |  |      |    |    |    |   |  |       |   |  |       |   |  |
| 点検項目  | 結果 | 状態                |           |    |      |   |    |       |      |   |  |      |    |    |       |   |  |      |   |  |       |   |  |      |   |  |   |   |                   |      |  |  |      |    |    |     |   |              |   |  |  |    |  |  |      |    |    |    |   |  |       |   |  |       |   |  |
| 異音  | ◎  |                   |           |    |      |   |    |       |      |   |  |      |    |    |       |   |  |      |   |  |       |   |  |      |   |  |   |   |                   |      |  |  |      |    |    |     |   |              |   |  |  |    |  |  |      |    |    |    |   |  |       |   |  |       |   |  |
| オイル漏れ   | ◎  |                   |           |    |      |   |    |       |      |   |  |      |    |    |       |   |  |      |   |  |       |   |  |      |   |  |   |   |                   |      |  |  |      |    |    |     |   |              |   |  |  |    |  |  |      |    |    |    |   |  |       |   |  |       |   |  |
| デフロック   | /  |                   |           |    |      |   |    |       |      |   |  |      |    |    |       |   |  |      |   |  |       |   |  |      |   |  |   |   |                   |      |  |  |      |    |    |     |   |              |   |  |  |    |  |  |      |    |    |    |   |  |       |   |  |       |   |  |

特記事項 エンジンキー1本、ボデーキー（横ドアのみ）2本 ※リアドア左内側一部割れあり。  
記録簿 有 (H28/12~R3/12)

| タイヤ残量   |   |   |   | タイヤサイズ      |             |             |             |
|---------|---|---|---|-------------|-------------|-------------|-------------|
| 単位: mm  |   |   |   |             |             |             |             |
| 6       | 5 |   |   | 225/80R17.5 | 225/80R17.5 |             |             |
| —       | — |   |   | —           | —           |             |             |
| 5       | 5 | 5 | 3 | 225/80R17.5 | 225/80R17.5 | 225/80R17.5 | 225/80R17.5 |
| —       | — | — | — | —           | —           | —           | —           |
| スベア     |   | — | — | スベア         |             | —           | —           |
| 素材: アルミ |   |   |   | 備考:         |             |             |             |

| 上物仕様   |      |           |          |
|--|------|-----------|----------|
| 上物名  | メーカー | 型式「製造番号」  | 年式       |
| 冷凍パン   | 東プレ  | 「H111995」 | 平成23年11月 |
| 【備考】 ラッシング2段、庫内サイド樹脂ガード、庫内灯3個、ジョロダー2列、水抜き穴4個、左サイドドア片側開き。 |      |           |          |
| 冷凍機/直結   | 東プレ  | XZ42HOC-B | 平成23年11月 |
| 【備考】 -5℃設定   |      |           |          |
| 【備考】   |      |           |          |

| 外装状態     |        |         |     |
|----------|--------|---------|-----|
| キャブコーション | フレーム番号 | フレームのさび | 飛石  |
| 有        | 確認済    | 小       | 点傷有 |



| 【外装】 |       |    |     |    | 【ボデー内】 |    |      |       |       |     |
|------|-------|----|-----|----|--------|----|------|-------|-------|-----|
| 外装キズ | 外装へこみ | うき | 曲がり | サビ | 補修跡    | 割れ | 庫内キズ | 庫内へこみ | 庫内穴あき | 床汚れ |